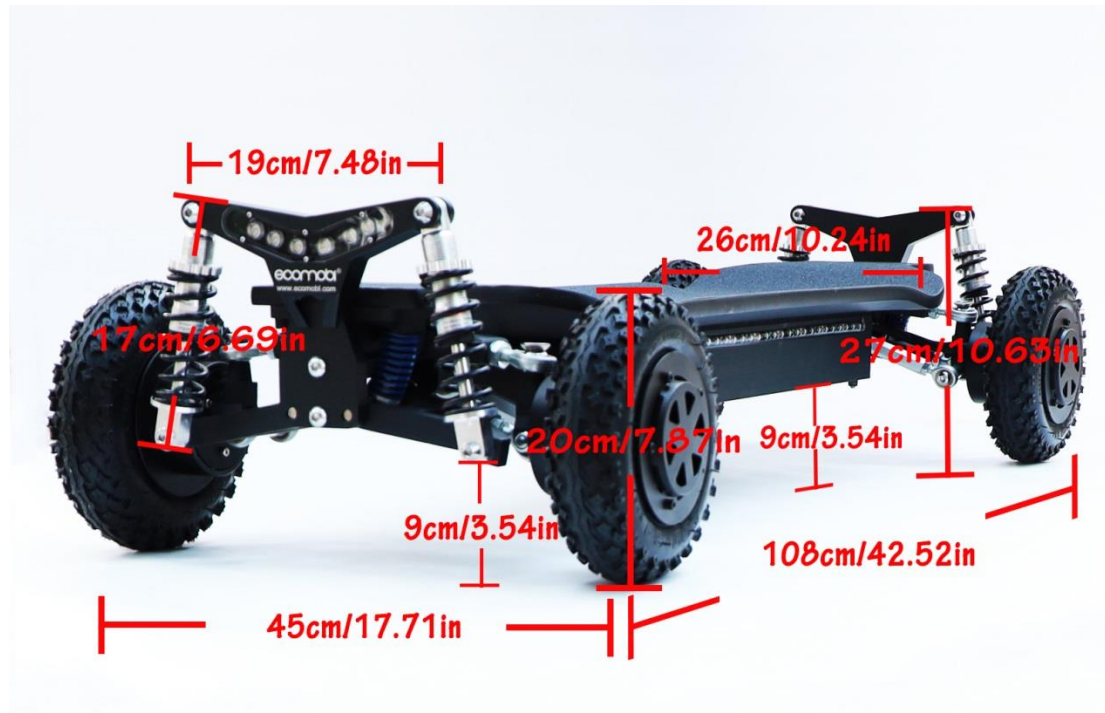




SurfSkateFly
create your wave

Quadtron AWD Electric Skateboard



Product details

Product size: 1080*450*270mm

Deck size: 1000*260mm

Product weight: AWD: 55 lbs or 25 kg

Rider Weight Limit: 330 lbs or 150 kg

Battery: 864W Samsung 36V

Max range: AWD: 32-38km or 20-24miles

Top speed: AWD: 43-50km/h or 27-31mph

Charging time:

5A Charger: 4-5H

Climbing grade: 45%-60%

Suitable Terrain: All Terrain

Lights: Headlight, taillight, under deck light

The wheel size: 200*50MM

Screen remote: 2.4G Bluetooth wireless connection

Gear motor: 4*74mm Brushless planetary gear motor. Ultra-high power and torque. Advanced gear motor without the risk of belt breakage.

Deck: Double drop 9 ply maple wood

Shock absorption effect: level 5

Lighting distance: 20 meters



Product maintenance

MAINTENANCE SHOULD BE DONE MONTHLY.

1. Check each screw on the skateboard is tighten. If loose, tighten if necessary.
2. Check tire if worn from excessive wear, please replace.
3. Check button of the remote control are flexible. If not please replace.
4. Check whether the skateboard is running normally, if not, **STOP RIDING IMMEDIATELY.**
5. Verify whether there are cracks on the surface of the skateboard, if deck has a crack, Deck must be replaced
6. Check whether the skateboard lights are working.
7. Check whether the acceleration and brake of the skateboard are average, if not, **STOP RIDING IMMEDIATELY.**
8. Check whether the charging of the skateboard is standard, if there is any problem, please contact us. Surf Skate Fly: 1-800-377-5409
9. Check the battery level of the remote control. If the battery level is low, remote must be charged.

10. Check if the remote-control slider is free; if it has a free play ,replace the remote control.
11. Check whether the various parts of the skateboard are regularly working and the wires are firmly connected.
12. Gear sets and gear parts will need to be replaced due to wear. Check every 2-4 months. If there is a loud noise on the motor of the QUADTRON AWD ELECTRIC SKATEBOARD use automotive lubricants, high temperature resistant oil is required, or you need to replace the gear parts.

Warning

Riding the skateboard may cause death or severe injury due to loss of control, collision, and falls. To ride safely, you must read and follow the instructions.

- **ALWAYS WEAR A HELMET WHEN RIDING.** We advise to wear all necessary protective gear such as knee pad and elbow pads to avoid any serious injury.
- When you ride for the *first time*, please find an open and flat area with a clean space. Avoid water, wet surfaces, slippery, uneven surfaces, steep hills, traffic, cracks, tracks, gravel, rocks, or any obstacles that may cause a drop-in traction and cause a fall. Avoid riding at night, areas with poor visibility, and tight spaces.
- Do not ride on hillsides or slopes exceeding 10 degrees.
- Do not drive at a speed that cannot safely control the skateboard.
- Avoid water.
- PLEASE NOTE QUADTRON board is not waterproof;
 - QUADTRON is water resistant you can smoothly go through the puddles but do not soak the board in the water.
- Keep fingers, hair, and clothing away from motors, wheels, and all moving parts. Don't open or tamper with the electronics.
- Work with the country's rules and regulations.
- Respect drivers and pedestrians.
- Avoid riding in crowded areas and heavy traffic.
- Do not stop your board in a manner that may harm people or disrupt traffic.
- At the designated crosswalk or signposted intersection, cross the road.

Battery

- Frequent maintenance checks are done to ensure all screws are tightened before riding. Regularly clean bearings. When not in use, please turn the board and controller off. The battery should be charged in a well-ventilated place. Keep the skateboard away whilst charging from other objects. Do not charge the battery at an area where the board or chargers may be wet. Don't leave the charging board unattended. Stop using the product or charging unit if damage occurs to any wires. Only use the charger which you have received with your board Do not use the battery on board to power any other equipment.
- Carefully test the battery pack and the protective seal every time before riding.
- Store the Quad-Tron in dry place. Never expose the battery to temperatures greater than 70 degrees C. Use only an official charger on board to charge the battery. Do not do any repairs on the board while charging.
- If you do not use the skateboard for a long time, please leave more than 50% of the battery power.
- When the skateboard battery is full, disconnect the charger. After each ride, please charge the battery.

Riding Stance

Please follow the tips below to ensure a safe riding experience.

- Move the throttle wheel slowly.
- Keep your centre of gravity low.
- Tilt forward when accelerating.
- Tilt backward when braking

Warranty

- If there is a product problem during the warranty period (apart from being dismantled or modified), you can call Surf Skate Fly @ 1-800-377-5409 for technical assistance.
- Warranty content: ESC, MOTOR, and BATTERY. Warranty time:6 months.
- General Exclusions - the following items are excluded from the warranty:
 - Damage sustained during shipping – we do offer shipping insurance if you wish to mitigate this risk.
 - Electronic damage caused by water in the board.
 - Removal or tampering of warranty stickers and water damage sticker.
 - Damage caused by accidents or collisions.
 - Unauthorized modification or repairs.
 - Taking the board beyond its limitations.
 - General wear and tear such as scratches and dents sustained in the public course of riding.
 - Exclusion Relating to Jumping.
- If any issues occur, please contact Surf skate fly in good faith and the first attempt to identify and fix any problem with Surf skate fly's QuadTron. Such instruction may be provided in person, via email (info@Surfskatefly.com). When requested, you must provide Surf skate fly with photos, videos, or any other evidence for the assessment of warranty claims. Surf skate fly board cannot validate any warranty claims or provide replacement parts unless you have cooperated as per above.

Legal

Section A - Physical Risks

- Riding a motorized skateboard is an activity involving obvious and inherent risks. This means that the situations you may encounter expose you to the risk of injury (minor and severe), paralysis, or death in case of an accident, due to the nature of the operation. We cannot predict or control how you run, or predict or control the exact nature of an accident or fall's consequences. Any accident or fall can cause serious injury, paralysis or death.
- When you purchase a Surf Skate Fly board, you are acknowledging and agreeing that you are aware of using this board for its intended purpose is risky, and that you willingly accept these risks.
- Information on safety and risk mitigation, including wearing protective gear, will be detailed in the manual provided with each Surf Skate Fly board.

Section B - Legality of Use



- Motorized skateboard or related vehicle laws vary from country to country, city to city, district to district. It is your duty to track and follow local laws in your region before using the Surf Skate Fly board.

Section C - Assumption of Risk & Waiver Of Liability

- By purchasing one or more Surf Skate Fly board, you acknowledge that riding the Surf Skate Fly QuadTron can be as dangerous as you want it to be, and you accept all the inherent and obvious risks involved with its intended use.
- By purchasing one or more Surf Skate Fly board, you confirm that you are of the legal age to enter into such a contract.
- By buying one or more Surf Skate Fly boards, you agree to release and forever discharge Surf Skate Fly boards, including all of our companies, vendors, staff, officers or members, from and against all lawsuits, suits, allegations, expenditures, charges, damages or proceedings resulting from any accident, death, harm to property, litigation or negligence suffered by you or all third party as a result of using you
- By buying one or more Surf Skate Fly boards, you agree to indemnify and hold harmless Surf Skate Fly boards, including all of our companies, vendors, staff, officers or members, from and against all lawsuits, suits, allegations, expenses, charges, penalties or proceedings resulting from any accident, death, property damage, litigation or negligence resulting from the use of you or any third party..